

A-CA74E Shoulder Adapter



Instruction Manual

Thank you for purchasing the A-CA74E. A-CA74E is specially designed to be mounted to various palmcoders available in the market and it makes small palmcoders for ENG/EFP applications more convenient. By selecting from optional P-V plate series, professional large capacity 14V battery can be mounted to the rear then supply the DC power to the palmcorder as well as camera light. Prior to using the A-CA74E, IDX recommends reading this Instruction Manual on how to best use A-CA74E and keep this manual for your reference.

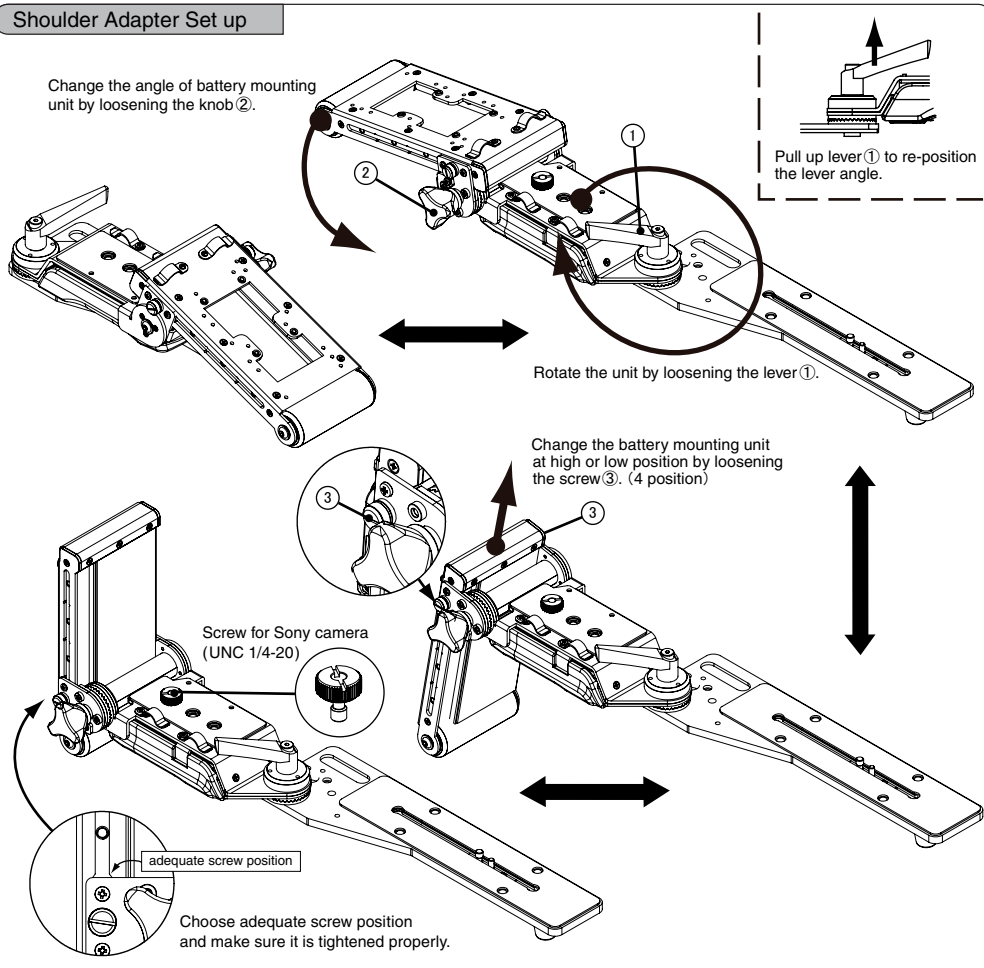
Features

- Various palmcoders and still cameras can be mounted.
- Regulated DC voltage supply from optional P-V plate with professional battery enables longer operation time.
- Flexible structure design enables folding the system when carrying and/or stored.

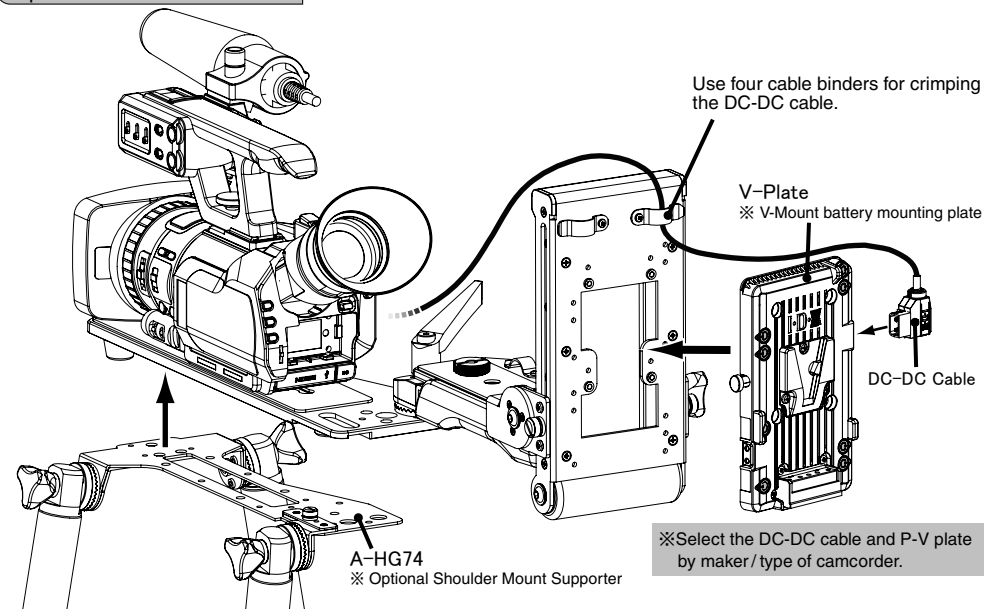
Specifications

- Dimensions : 355 (W) × 105 (H) × 140 (D) mm
13.9 (W) × 4.13 (H) × 5.51 (D) inches.
※when folded
- Weight : approx. 1500 g / 3.30 lbs.
- Standard Accessories : Instruction manual x 1

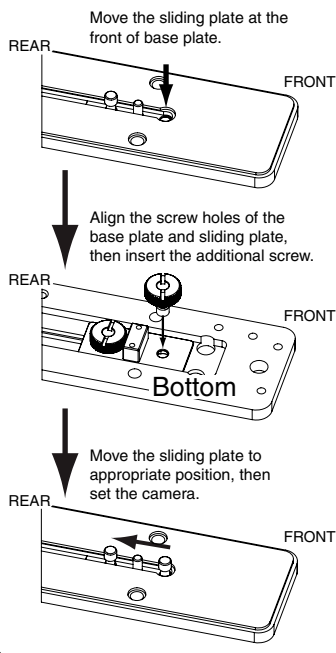
Shoulder Adapter Set up



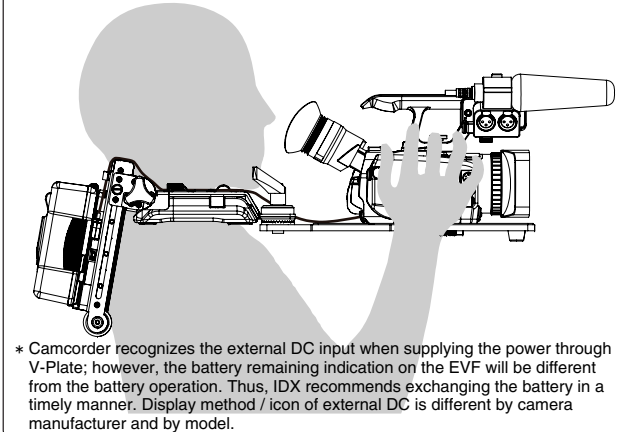
Optional Accessories



In case of use Sony Camera



Example



General Notes and Safety

- Do not attempt to modify this unit. All work should be carried out by IDX authorized service personnel only.
- Tighten all the levers and screws prior to use; otherwise, it may cause serious injury or damage to the equipment.
- If you need any inspection or repairs, please contact your IDX dealer or appropriate IDX office.

Design and specification are subject to change without notice.



<http://www.idx.tv>

IDX Company, Ltd. : 6-28-11 Shukugawara, Tama-ku, Kawasaki-shi, Kanagawa-ken 214-0021 Japan

Tel: +81-44-850-8801 Fax: +81-44-850-8838 E-mail: idx.japan@idx.tv

IDX System Technology, Inc. : 19001 Harbortgate Way, Suite 105, Torrance, CA 90501 USA

Tel: +1-310-328-2850 Fax: +1-310-328-8202 E-mail: idx.usa@idx.tv

IDX Technology Europe, Ltd. : Unit 9, Langley Park, Waterside Drive, Langley, Berkshire SL3 6EZ England

Tel: +44-1753-547-692 Fax: +44-1753-546-660 E-mail: idx.europe@idx.tv



201006df