

EB-424L

Power Base Station



Instruction Manual

Thank you for purchasing the EB-424L Power Base Station. Prior to using the unit, IDX recommend to read this instruction manual and keep this manual for future reference.

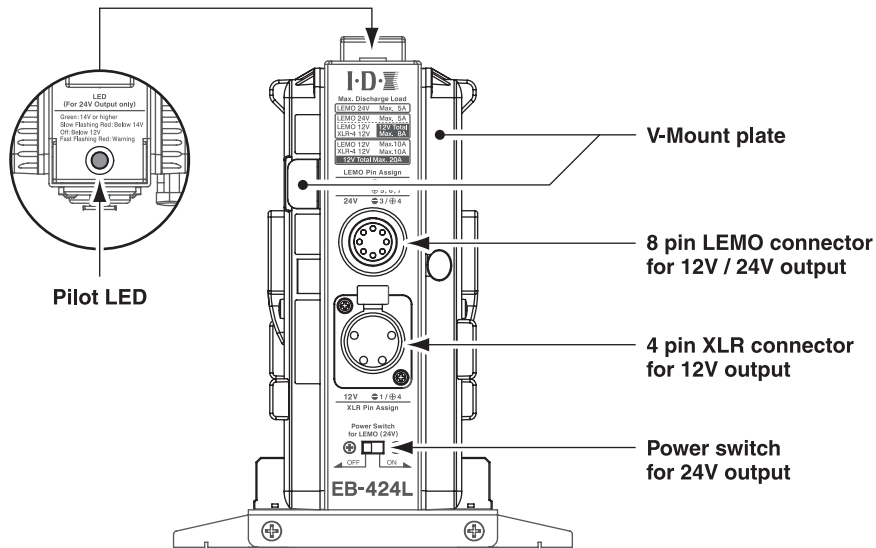
Safety cautions:

- Do not attempt to open or modify this unit. All work should be carried out by IDX authorized personnel only.
- Use only ENDURA Li-ion Battery.
- When connecting the battery, be sure to connect the battery firmly.
- When in use, do not place anything on top of the unit and do not block ventilation holes. Use in a well ventilated area.
- Do not expose to use the unit in direct sunlight, extreme dust, water and other hazardous environments.
- Turn OFF the power switch for 24V output when not in use. The pilot LED may be turned OFF. The batteries may have discharge to inside of the circuit.

Features

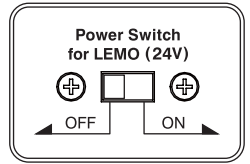
- The Power base station supports up to eight batteries allowing up to 744 Wh of power when in PowerLink configuration.
- Features uninterrupted battery changeover, low voltage warning lamp and extendable support feet. (only for 24V output)

Location of parts



Operating instructions

- ① Set the battery on to the unit.
- ② Select an output voltage of LEMO connector. Power switch allows 24V output from LEMO connector. Turn the power switch ON, (slide the switch to right). The pilot LED will be turned on.
*12V out is continuously output from LEMO and XLR connector.
- ③ 24V output through the DC-OUT connector.
- ④ After used, turn the Power switch OFF and release the batteries from the unit.



DC output table

XLR 12V	LEMO 12V	LEMO 24V	Max. current of 24V	Max. current of 12V
In use	In use	In use	5A	Total 8A
In use	No use	In use	5A	Total 8A
No use	In use	In use	5A	Total 8A
In use	No use	No use		10A
No use	In use	No use		10A
In use	In use	No use		Total 20A (10A each)

LED indicator (only for 24V output)

Solid Green	Battery voltage is 14V or higher
Fast Flashing Red	Protection Circuit detected
Slow Flashing Red	Low voltage warning - Battery voltage is below 14V
LED off	Low voltage - Battery voltage is 12V or below

Specifications

- Applicable batteries All IDX ENDURA Li-ion Battery
- DC Input IDX ENDURA battery – DC12 ~ 17V
- DC Output
 - A 8 pin LEMO connector for 12V / 24V
(Connector name: LEMO: EGG-3B-308CLL)
【 12V 】 Pin 1,2,8 - Negative, Pin 5,6,7 - Positive
【 24V 】 Pin 3 - Negative, Pin 4 – Positive
 - B 4 pin XLR connector for 12V
(Connector name: ITT Cannon: XLR-4-31)
Pin 1 - Negative, Pin 4 – Positive
- Output Voltage
 - 【 24V output 】 Regulated
 - 【 12V output 】 Un-regulated
- Number of batteries to be used Maximum 8(ENDURA batteries that have IDX PowerLink function)
- Dimensions / Weight
 - 80 (W) × 165 (H) × 217 (D) mm
 - [feet extended : 128 (W) mm] / Approx. 1.3kg
 - 3.15 (W) × 6.50 (H) × 8.54 (D) inches.
 - [feet extended : 5.04 (W) inches.] / Approx. 2.87lbs.

Design and specification are subject to change without notice.



<http://www.idx.tv>

IDX Company, Ltd. : 6-28-11 Shukugawara, Tama-ku, Kawasaki-shi, Kanagawa-ken 214-0021 Japan
 Tel : +81-44-850-8801 Fax : +81-44-850-8838 E-mail : idx.japan@idx.tv
IDX System Technology, Inc. : 19001 Harbortgate Way, Suite 105, Torrance, CA 90501 USA
 Tel : +1-310-891-2800 Fax : +1-310-891-3600 E-mail : idx.usa@idx.tv
IDX Technology Europe, Ltd. : Unit 9, Langley Park, Waterside Drive, Langley, Berkshire SL3 6EZ England
 Tel : +44-1753-547-692 Fax : +44-1753-546-660 E-mail : idx.europe@idx.tv

