

# X3-BD

## Barndoor with Filter Holder

### Instruction Manual

PROSeries

The X3-BD is a combined Barndoor and Filter Holder, which is designed for use with the IDX X3-Lite and X5-Lite professional LED Light. Please utilize this manual for optimal use and care of your X3-BD and keep for reference.

#### Features

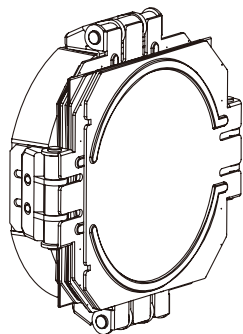
- The X3-BD is easily attached and removed from the X3-Lite and X5-Lite using its quick release twist and lock system.
- When not in use the Filter Holders and Barndoors are designed to fold away making the X3-BD a compact size for storage and transport.
- Individual Frames make the set-up and change of filters quick and easy (Three Frames are included with the X3-BD and additional extra frames are optionally available).

#### Specifications

- Dimensions :  
86(W)×86(H)×25(D) mm  
3.44(W)×3.44(H)×1.00(D) inches
- Weight : approx. 170 g / 0.38 lbs
- Included parts :  
Filter Mount Frame×4 pcs  
Diffusion filter×1 pc  
Amber filter Full CT ORANGE×1 pc  
Amber filter 1/2 CT ORANGE×1 pc  
Amber filter 1/4 CT ORANGE×1 pc

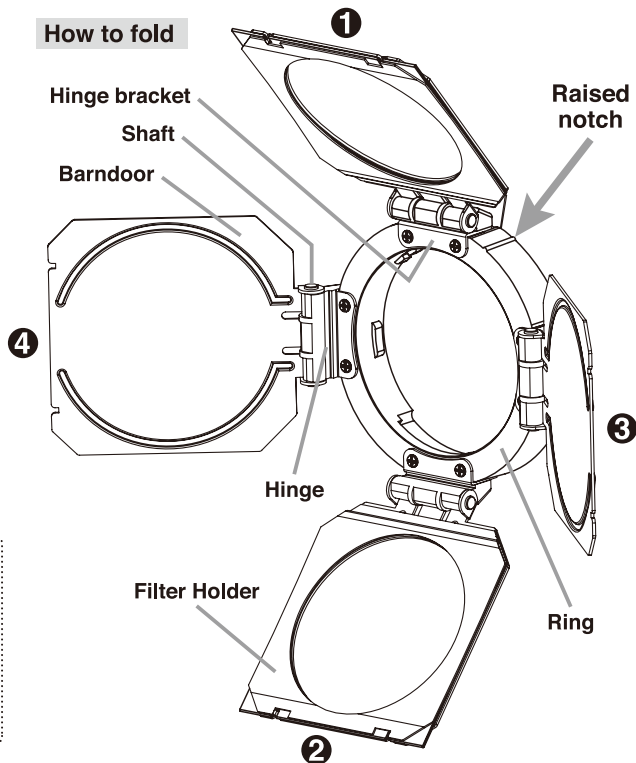
#### Parts Description

##### Folded



Note : To avoid damaging the Barndoors or Filter Holders, remove the Barndoor from the light and fold closed when not in use. When folding follow in the numbered sequence as shown here.

#### How to fold



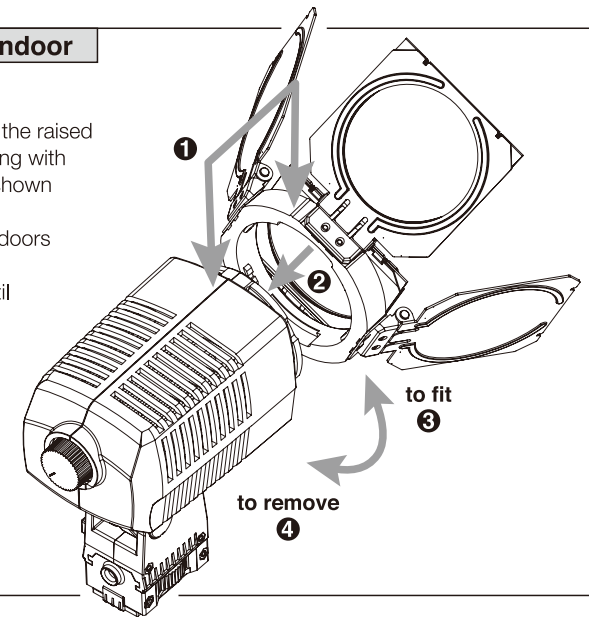
#### How to fit and remove the Barndoor

##### To fit

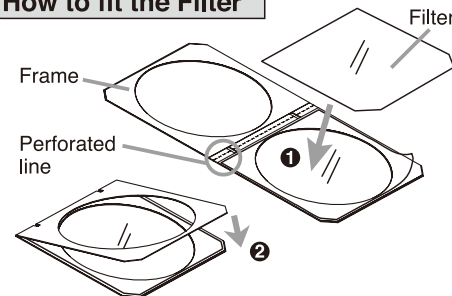
- ① To attach the Barndoor, first position the raised notch on the Barndoor attachment ring with the top center line of the X3-Lite as shown in the drawing.
- ② Guide and insert the ring of the Barndoors over the grooves of X3-Lite.
- ③ Turn the Barndoor ring clockwise until it clicked.

##### To remove

- ④ Turn the Barndoor ring counter-clockwise until it stops and gently pull away.



#### How to fit the Filter



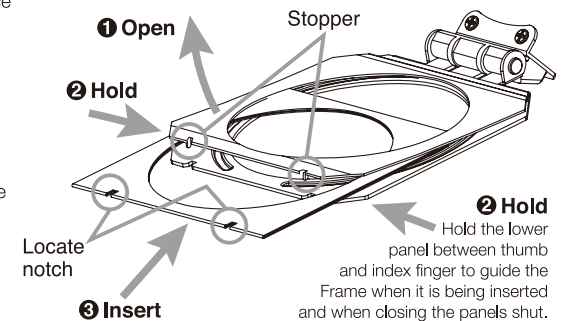
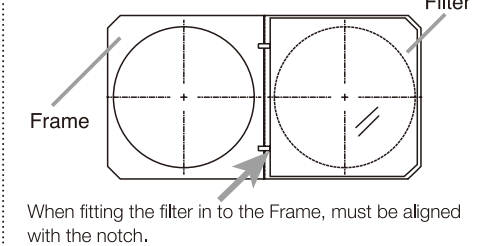
##### To fit the Filter in the Frame

Remove the protective film from the adhesive surface of the Frame. Fit the filter carefully onto the Frame corner to corner, being careful to avoid creasing the filter. Then fold the Frame closed, along the perforated center line.

##### To fit the Frame in the Filter Holder

Raise the inner panel of the Filter Holder to open a space to insert the Frame. Carefully push the Frame inside until it stops. When fully inserted pinch the outer and the inner panels closed. Make sure the end of Frame does not interfere with the locking stoppers of the Holder panels or prevent a tight fastening.

#### CAUTION



<http://www.idx.tv>

IDX Company, Ltd. : 6-28-11 Shukugawara, Tama-ku, Kawasaki-shi, Kanagawa-ken 214-0021 Japan  
Tel: +81-44-850-8801 Fax: +81-44-850-8838 E-mail: idx.japan@idx.tv

IDX System Technology, Inc. : 19001 Harbortgate Way, Suite 105, Torrance, CA 90501 USA  
Tel: +1-310-891-2800 Fax: +1-310-891-3600 E-mail: idx.usa@idx.tv

IDX Technology Europe, Ltd. : Unit 9, Langley Park, Waterside Drive, Langley, Berkshire SL3 6EZ England  
Tel: +44-1753-547-692 Fax: +44-1753-546-660 E-mail: idx.europe@idx.tv



200903az