

# NH-201 Dual NP Battery Holder

## Instruction Manual

The NH-201 is a battery holder to accommodate two NP type batteries to supply power to a camera.

### Features

- Longer camera runtime using two batteries.
- Battery capacity data function allows displaying of remaining capacity of the batteries in camera viewfinder. Refer to [Digi-View] for further details.

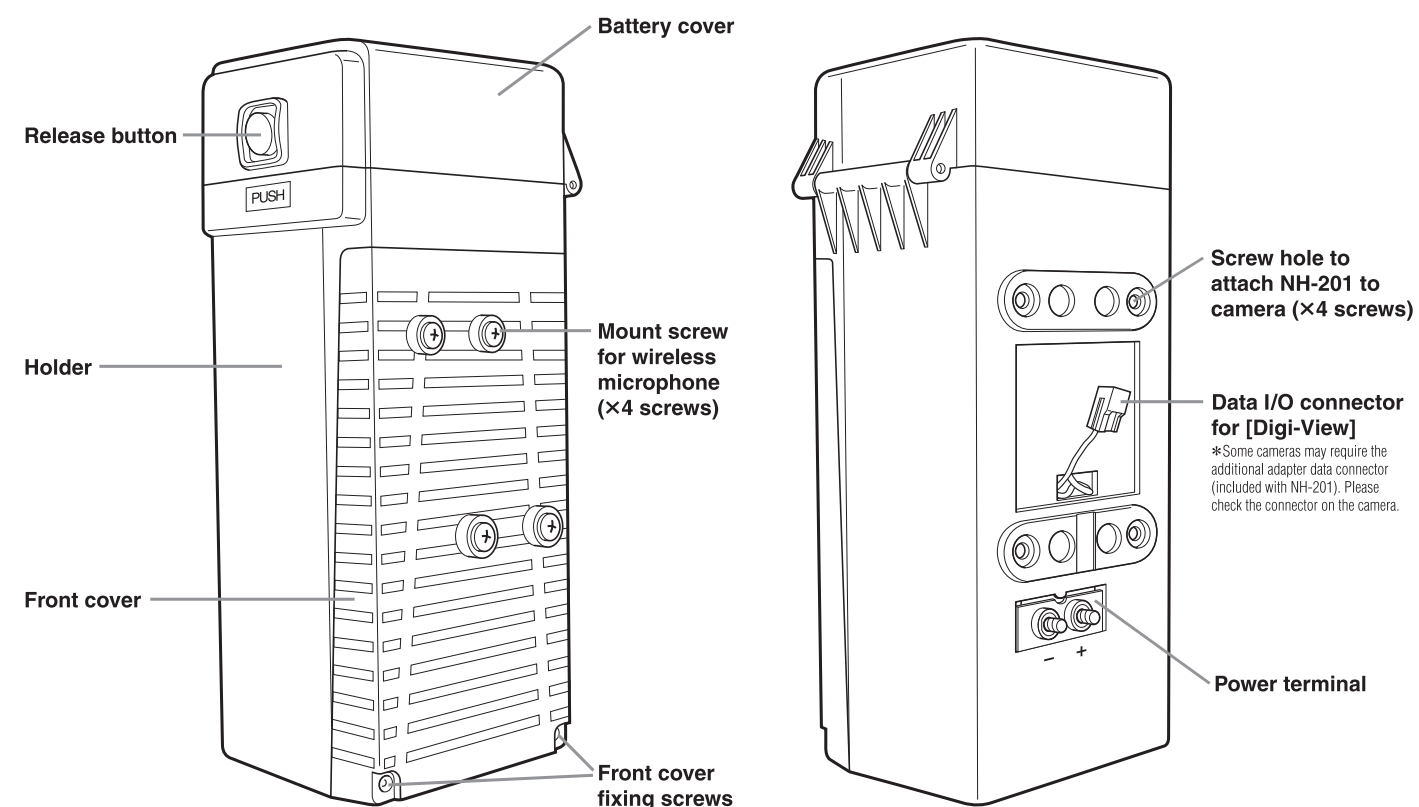
### Specifications

- Dual battery holder for use with NP type batteries
- Dimensions: 97(W)×200(H)×75(D)mm
- Weight: approx.300g

### Included Accessories

- Instruction manual ×1
- Power connector cable ×1
- Rubber Seal (self-adhesive) ×1
- Data adaptor I/O cable with connector ×1
- Magnetic screwdriver ×1
- M3×8mm screws ×4

### Part Description



### Operating precautions

To enable correct use and fitting of the NH-201, the following instructions should be read carefully before use.

- To use one battery only, either of the two battery slots in the holder may be used.
- To use two batteries, charged batteries with the same specification are highly recommended. Each battery should be fully charged to maintain the best battery condition. In using Li-ion batteries, combination of batteries with greatly different charged capacities and under high load may activate the battery circuit protection function and stop supplying power to the camera. For the same reason a combination of one Li-ion battery with either Ni-MH battery or Ni-Cd battery is to be avoided. The combined use batteries with different voltage ratings are never recommended. The NH-201 is designed for optimum use with two IDX NP Li-ion batteries.

- Either battery can be changed without switching off your camera. This hot swap feature allows continuous runtime on your camera. To change batteries, either can be changed in any order. However care should be taken when both batteries are almost empty and attempting to swap, as the camera may stop if the remaining battery does not have enough capacity to power the camera alone. Thus to change batteries while maintaining the camera running the batteries may need to be changing earlier than the standard warning time normally indicates.

### Fitting to the Camera

First remove the "Front cover" (Fig. 1) and then mount on camera (Fig. 2). Attach the "Front cover" again. If using [Digi-View], the data I/O connector, if fitted on the camera, must be firmly connected.

Fig.1

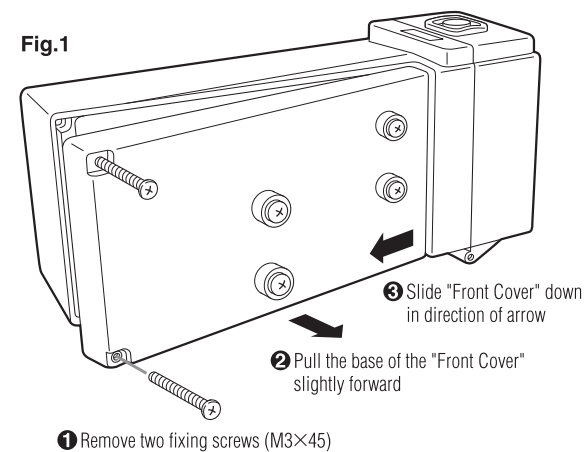
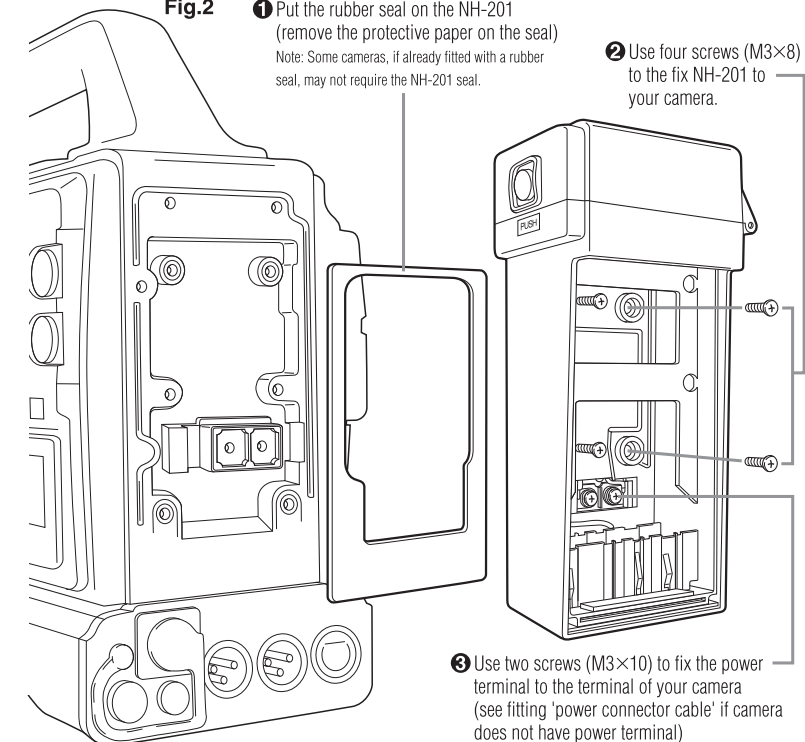


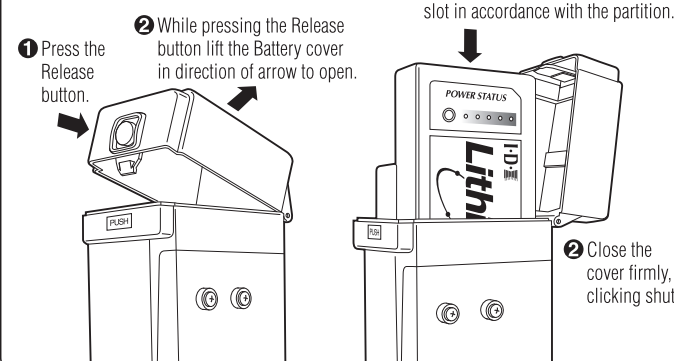
Fig.2

1 Put the rubber seal on the NH-201 (remove the protective paper on the seal)  
Note: Some cameras, if already fitted with a rubber seal, may not require the NH-201 seal.

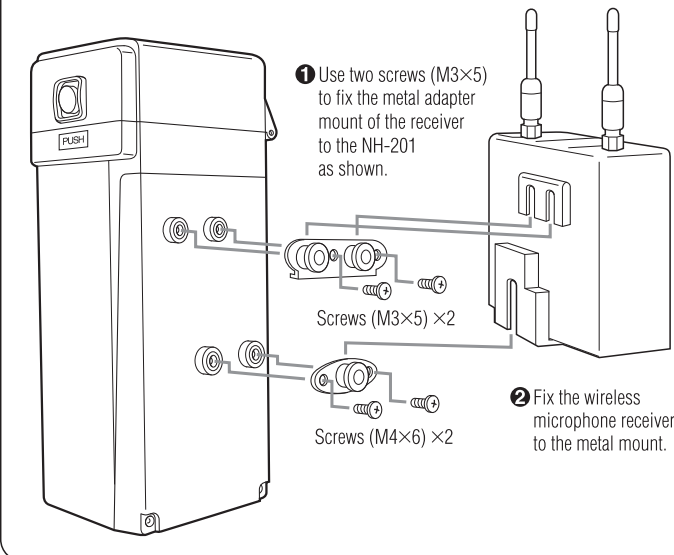
2 Use four screws (M3×8) to the fix NH-201 to your camera.



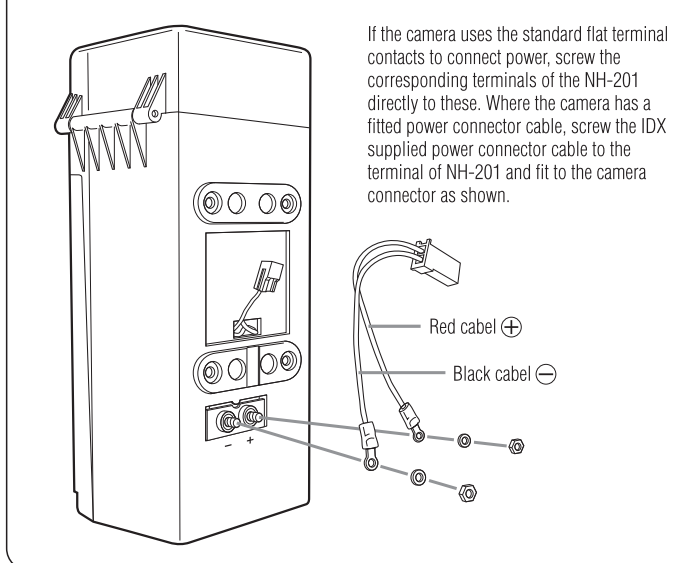
### Battery insertion



### Attaching a wireless microphone receiver



### Fixing the Power Connector cable to camera



### [Digi-View]

Digi-View is a system that allows the remaining battery capacity of IDX Lithium Ion batteries to be displayed in the camera viewfinder. Cameras, designed with this feature, show this remaining battery capacity as a percentage and are fitted with a data receiving I/O connector at the back of the camera. By connecting the data I/O cable fitted to the NH-201 to the data receiving connector at the back of the camera, and using IDX NP type Lithium Ion batteries, the remaining capacity of the batteries can be displayed on the camera viewfinder.